

Vision spectra

WEBINARS

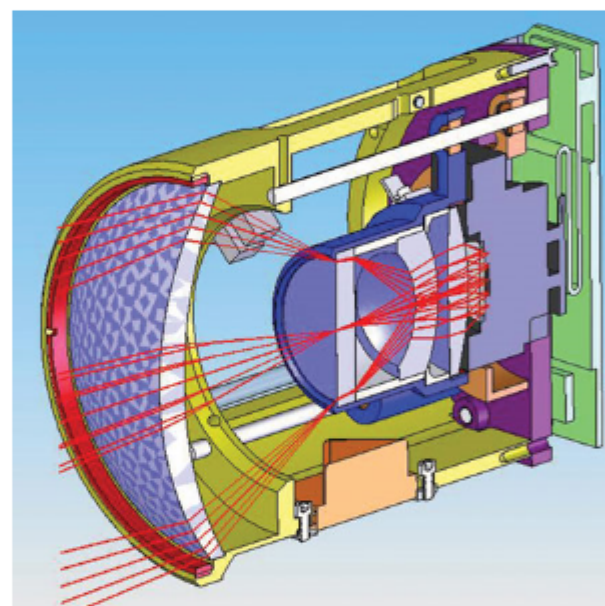
Join us for a **FREE Webinar**

Lights! Camera! Optics! Tricks of the Trade for Developing Front Ends for Machine Vision Systems

Tuesday, September 10, 2024 1:00 PM - 2:00 PM EDT

[Register Now](#)

In this webinar, Andrew Bodkin shares insights into developing imaging systems that both experienced engineers and novice developers will find valuable. Over his lifelong career working with cameras, Bodkin has developed an intuitive understanding of how the elements of imaging systems interact. He shares techniques and physical interpretations to clarify the understanding of how these system elements function. This framework is invaluable in simplifying the design and build process of the optical front end of machine vision.



Upcoming Webinars

- [Reflective Optics for Multispectral EO Systems](#), 8/28/2024 9:00:00 AM EDT
- [How to Improve Laser Applications Using Freeform Optics](#), 9/4/2024 10:00:00 AM EDT

Archived Webinars

- [Measuring Starlight with an Ultrafast Laser: Astrocomb Development for the Extremely Large Telescope](#)
- [Beam Steering with Galvos: Common Configurations and Their Uses](#)
- [From At-line to In-Line Quality Control and Foreign Body Detection with Hyperspectral Imaging](#)

Don't miss out!

Sign up for our [Webinar Alerts](#) email today and never miss an upcoming event.

We respect your time and privacy. You are receiving this email because you are a Photonics Spectra magazine subscriber. You may use the links below to manage your subscriptions or contact us.

Questions: info@photonics.com

[Unsubscribe](#) | [Subscribe](#) | [Subscriptions](#) | [Privacy Policy](#) | [Terms and Conditions of Use](#)

Photonics Media, 100 West St., PO Box 4949, Pittsfield, MA 01202-4949

© 1996 - 2024 Laurin Publishing. All rights reserved. Photonics.com is Registered with the U.S. Patent & Trademark Office. Reproduction in whole or in part without permission is prohibited.