



Weekly News

[LEARN MORE](#)



### VISION 2024 Sets Records for Attendance, New Companies, and Countries Involved

It's a VISION takeover on Photonics Spectra Now! We're bringing you the latest from VISION 2024 in Stuttgart, Germany while the event is still happening. Machine vision takes center stage as we witness the latest in industrial automation, inspection, measurement, robotics, 3D, pick and place, automated optical inspection, and so much more. Enjoy the sights and sounds from some of the brightest in the business. Sponsored by Reynard Corporation and Hamamatsu

Corporation.

[Watch Now](#)



### Deep Learning-Based Method Guards Against Chip Tampering

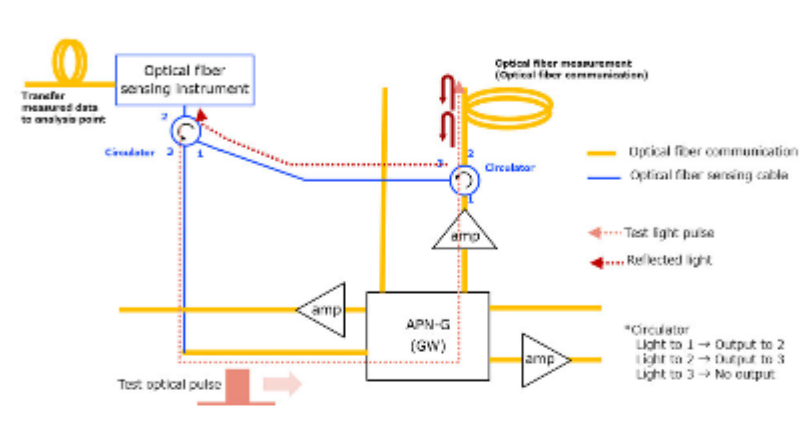
The \$75 billion counterfeit chip market jeopardizes the safety and security of multiple sectors that depend on semiconductor technologies, including aviation, communication, quantum computing, artificial intelligence, and finance. A new counterfeit detection method for semiconductor devices could help global chip makers and

users evade the risks introduced by the surge in counterfeit chips coming on the market. [Read Article](#)



### Toshiba Teli Corporation Takes Home 2024 VISION Award

Toshiba Teli Corporation has won the 2024 VISION award. The company earned the title, presented at VISION 2024 in Stuttgart, Germany, for its OneShotBRDF integrated surface flaw detection scope technology. [Read Article](#)



### NTT and NEC Enable Sensing in IOWN All-Photonics Network

NTT Corporation, NTT EAST Corporation, NTT WEST Corporation and NEC Corporation have devised a connection configuration to add optical fiber sensing functions to the IOWN All-Photonics Network. The collaborators have demonstrated the ability to grasp area-wide traffic trends

using optical fiber sensing, and to visualize and analyze traffic conditions in real time. [Read Article](#)

**ADVANCED LASER FUSION SPLICING AND GLASS PROCESSING**

[LEARN MORE](#)

[> DOWNLOAD](#)

MULTI-ANGLE REFLECTOMETRY

**FilmTek 4000**

Optical Property and Thickness Measurements for Thin Films and Multilayer Stacks

## Featured Products & Services

**Green Laser to Deliver Stability**

**Ampliconyx Oy**  
The AMPX-PICO-532 picosecond green fiber laser, developed with patented technology, is designed to break new ground in time and spectral resolution flavored by versatile OEM integration and elegant control.

[Visit Website](#)

[Request Info](#)

**LED Illumination for Neuroscience**

**CoolLED Ltd.**  
From fast live cell imaging to calcium imaging and optogenetic stimulation, CoolLED offers a range of products for neuroscience research.

[Visit Website](#)

[Request Info](#)

**Looking for something else? Check the Photonics Marketplace.**



**COMPLEX BEAM SHAPING & STEERING WITHOUT POWER LOSS**

Improve resolution and testing times with solid state continuous wave lasers with industry best power to size ratio.

[LEARN MORE](#)

**Damaging Your Rods?**  
Try SYNOPTICS Premium IBS Coatings

Crystal Growth | Fabrication | Polishing | Thin Film Coating | Rotators

[ng.com/synoptics](#)

## More News

[Lynred Bolsters IR Sensors Portfolio, Acquires New Imaging Technologies](#)

[OLED Tech Provides Optogenetic Light Source for Cochlear Implants](#)

[NUBURU Secures \\$65 Million](#)

[Spectroscopic Headset Could Reveal Stroke Risk](#)

**CONFERENCE**

**October 15-17, 2024**

**Register Now!**

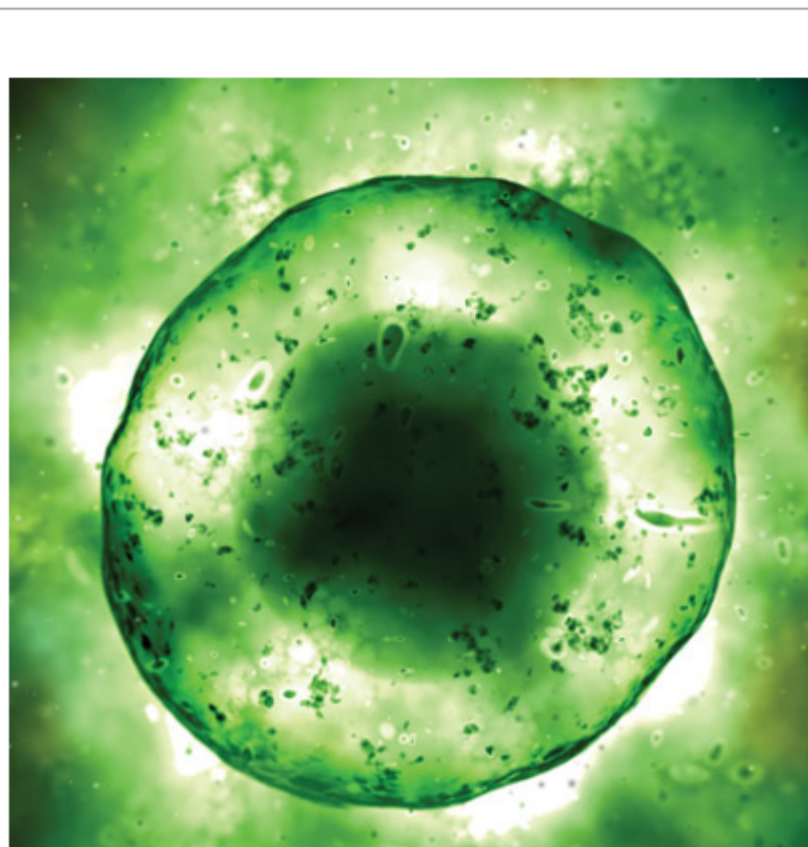
Hollywood, CA

**ICALEO**

**International Congress on Applications of Lasers and Electro-Optics**

November 4-7, 2024

## Latest Webinars



### Multiplex Imaging: Camera, Lights, Optics, Action!

**Tue, Oct 29, 2024 10:00 AM - 11:00 AM EDT**  
Multiplex imaging, either multicolor fluorescence or multispectral absorption and reflection imaging, is rapidly gaining popularity in the life sciences and medical arenas. Being able to image samples at a variety of wavelengths in live or fixed samples provides a depth of microscopy that was never possible to attain with conventional microscopy. From deeper tissue penetration to enhanced surgical guidance and improved disease detection, multiplex imaging enhances medical diagnostics with noninvasive, detailed, live insights into pathological and physiological states of tissue for better patient outcomes. This webinar discusses the options and requirements for performing multiplex imaging from the illumination to the detection and the optics in between to navigate the light to and

from the sample. Presented by Excelitas Technology Corp.

[Register Now](#)

### Call for Articles

Photonics Media is currently seeking technical feature articles on a variety of topics for publication in our magazines (*Photonics Spectra*, *BioPhotonics*, and *Vision Spectra*). Please submit an informal 100-word abstract to [editorial@Photonics.com](mailto:editorial@Photonics.com), or use our [online submission form](#).



We respect your time and privacy. You are receiving this email because you are a Photonics Media subscriber, and/or a member of our website, Photonics.com. You may use the links below to manage your subscriptions or contact us.

Questions: [info@photonics.com](mailto:info@photonics.com)

[Unsubscribe](#) | [Subscribe](#) | [Subscriptions](#) | [Privacy Policy](#) | [Terms and Conditions of Use](#)

Photonics Media, 100 West St., PO Box 4949, Pittsfield, MA 01202-4949  
© 1996 - 2024 Laurin Publishing. All rights reserved. Photonics.com is Registered with the U.S. Patent & Trademark Office. Reproduction in whole or in part without permission is prohibited.

